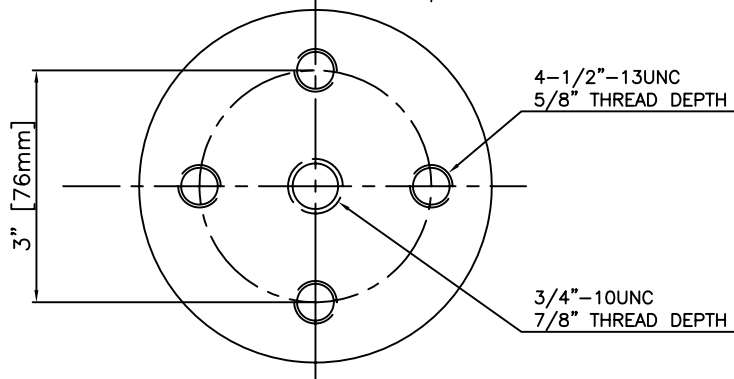


TECHICAL REQUIREMENTS

- | | |
|------------------------------|--------------------|
| 1. CANTILEVER STRENGTH: | 1500# [7.5KN] |
| 2. TENSILE STRENGTH: | 5000# [22.7KN] |
| 3. TORSION STRENGTH: | 6000" # [27.2KN.M] |
| 4. COMPRESSION STRENGTH: | 30000# [136KN] |
| 5. NEMA VOLTAGE RATING: | 23KV |
| 6. 50 HERTZ WITHSTAND-DRY: | 60KV |
| 7. 50 HERTZ WITHSTAND-DEW: | 40KV |
| 8. IMPULSE WITHSTAND: | 150KV |
| 9. GLAZE: ANSI 70 LIGHT GREY | |
| 10. APPLICABLE STANDARD: | ANSI C29.10-1989 |



Medium Voltage Solutions

Erie, Pennsylvania, USA
Tel: 814-520-6385
Email: info@mvpower.us
Web: www.mvpower.us

PART NO. A30-5
INDOOR BUS SUPPORT